

## HRB5 - Relay Module

### Introduction:

The HRB3 relay module provides two sets of Form-C relay contacts. This relay module can be used for a wide range of applications including but not limited to those requiring a set of dry contacts, latching dry contacts, polarity reversal or telephone line seizure. The relay contacts can be controlled using the polarity reversal of a Fire Alarm Control Panel's Notification Appliance Circuit or a variety of other power sources.

### Specifications:

- Jumper selectable for 6VDC or 12VDC operation.
  - ✓ Leave Jumper JP2 intact for 6VDC operation (factory default operation)
  - ✓ Cut Jumper JP2 for 12VDC operation
- Relay coil draws 120mA for 12VDC operation.
- Two sets of DPDT Form-C relay contacts rated for 5 amps @ 250VAC and 24VDC
- Compact design (board dimension 2.75”L x 2.0”W x 1.0”H).
- Red LED indicates active relay (NC contacts Open & NO contacts Closed)
- Mount using #6 screws along with 3/8” non-metallic spacers or supplied foam tape.

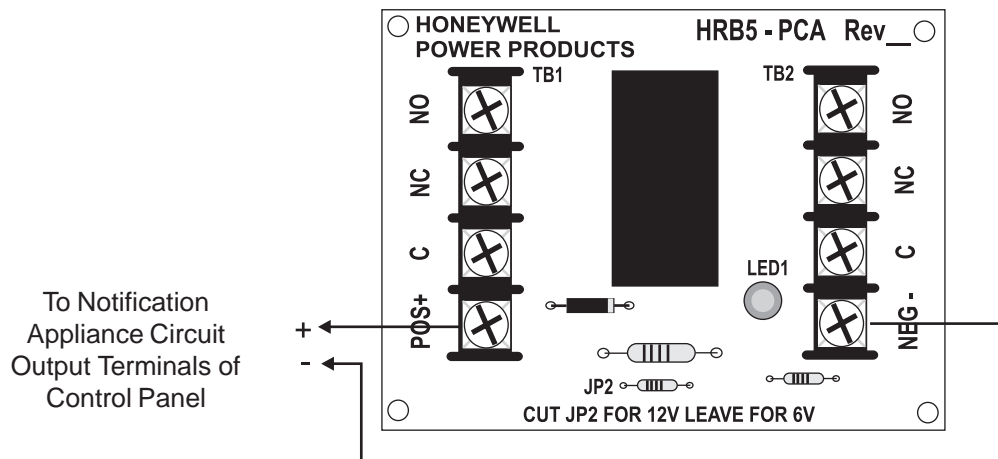
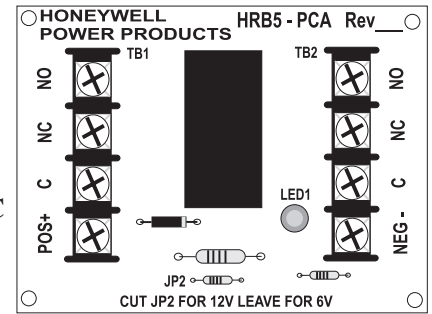
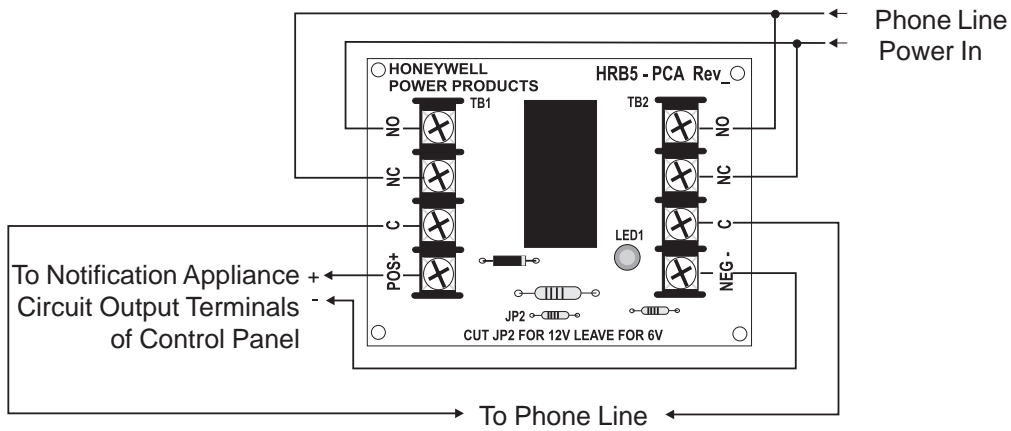
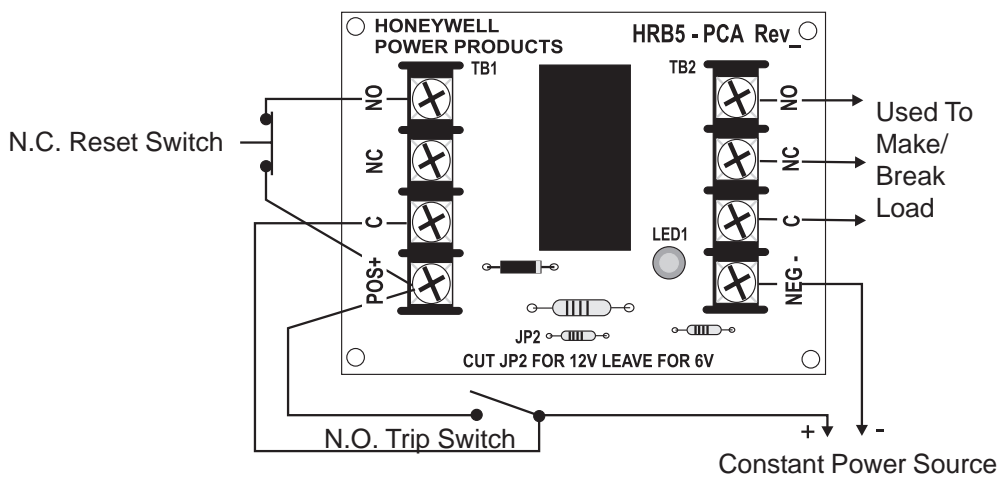


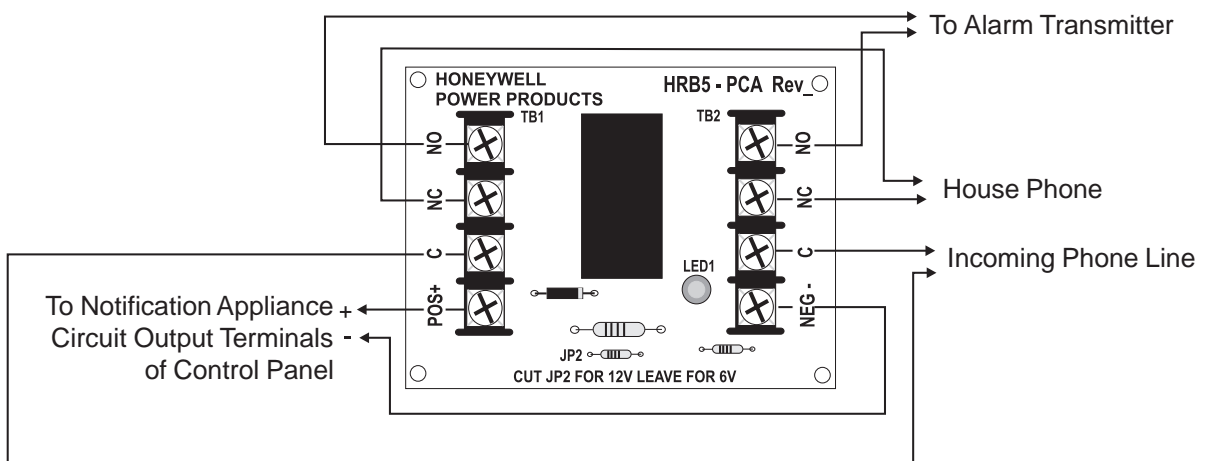
Figure 1: Dry Contacts



**Figure 2: Polarity Reversal**



**Figure 3: Latching Dry Contacts**



**Figure 4: Line Seizure**

For additional information:

- visit our website at [www.honeywellpower.com](http://www.honeywellpower.com)
- contact Technical Support at 1-800-627-3473
- email us at [not\\_techserv@fla-whq.com](mailto:not_techserv@fla-whq.com)