

## 1 Overview

The Honeywell Power Products HPTV2404UL Power supply provides four individually fused 24VAC outputs with a total of 4 amperes.

## 2 Specifications

- UL/ULC Listed Power Supply
- Four individually fused 24 VAC outputs
- AC Power and four Individual Output Indicator LEDs
- LED Indicator Lights:
  - Input Power LED (Green) – ON indicates incoming input voltage
  - Output Power LEDs (Red) – ON indicates blown output fuse
- Fuses
  - Incoming Safety Fuse Block (1), 3.15A, 250V
  - Load Output Fuses (4), 1A, 250V
  - Secondary Fuse, 4A, 250V
- AC cord and spare fuses included
- Power ON/OFF switch
- Dimensions: 9.25 in. x 8.25 in. x 3.5 in. (23.3 cm x 21 cm x 9 cm)



---

**NOTE:**

- A readily accessible switched circuit breaker must be available to disconnect mains power as required.
  - Do not expose to rain or moisture.
  - Replace fuses with fuses of same type and rating.
  - Refer servicing to qualified personnel.
- 

## 3 Installation Instructions

1. Pre-drill holes where HPTV2404UL enclosure is to be mounted.  
*If the included AC cord is used, mount the enclosure in a secure location where the unit cannot be accidentally unplugged.*
2. Secure HPTV2404UL enclosure to the desired location (indoor installation only) as shown in Figure 1.
3. Disconnect power to the branch circuit to which the HPTV2404UL will be connected.
4. Place both SW1 switches to the OFF position.
5. Connect incoming AC (120 VAC, 60Hz) into the incoming fuse block input observing polarities (see Figure 2). Connect ground leads as shown in diagram.



---

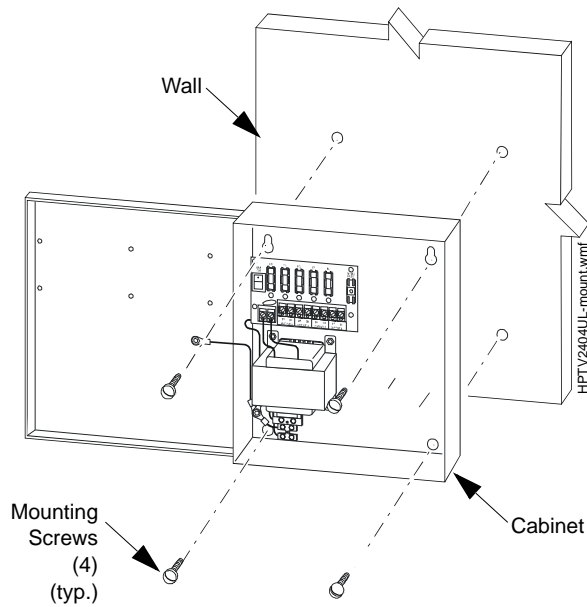
**NOTE:** All 120V wiring should be routed so that it cannot touch 24V wiring to be installed later.

---

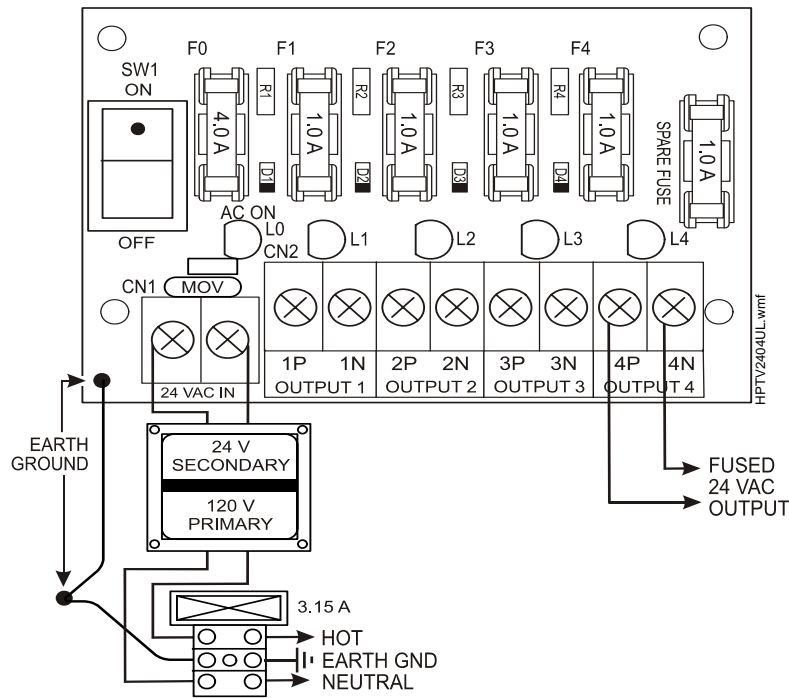
6. Connect CCTV cameras (or other external loads) to appropriate terminals (example output 1 = 1P, 1N). Route all 24V wiring at least  $\frac{3}{8}$  in. (0.953 cm) from 120V mains wiring (indoor installations only).
7. Power the branch circuit and place SW1 to the ON position. The green LED should illuminate indicating 24V is reaching the PCB.

*Continued on next page...*

8. The red LEDs illuminate only if a camera (load) is installed and the fuse is open. Remove a camera output fuse to verify LED operation.
9. Secure the cabinet cover with metal screws to prevent access by unauthorized personnel.



**Figure 1**



**Figure 2**

For additional information:

- Visit our website: <http://www.honeywellpower.com>
- Contact Technical Support: (877) HPP-POWR
- Email us: [hpp\\_techserv@honeywell.com](mailto:hpp_techserv@honeywell.com)