

## 1 Overview

The **HPTV2416**, **HPTV2416CB**, **HPTV2416-1**, and **HPTV2416-1CB** are CCTV power supply and distribution units. The HPTV2416 and HPTV 2416CB provide a constant source of 24 VAC with 8 A supply current. The HPTV2416-1 and HPTV2416-1CB provide a constant source of 24 VAC with 16 A supply current. Sixteen individual outputs route power to operate CCTV Cameras and other video accessories. For overload protection the HPTV2416 and HPTV2416-1 use automotive style fuses and the HPTV2416CB and HPTV2416-1CB have auto-resettable PTCs.

## 2 Specifications

- Input
  - HPTV2416 and HPTV2416CB: 115V, 60Hz, 2A.
  - HPTV2416-1 and HPTV2416-1CB: 115V, 60Hz, 4A.
- Output
  - HPTV2416 and HPTV2416CB: 8A at 24 VAC (200VA).
  - HPTV2416-1 and HPTV2416-1CB: 16A at 24 VAC (400VA).
- Sixteen outputs.
- Maximum Current Rating

	Any Output	Total Module	Total Supply
HPTV2416	3 A	4 A	8 A
HPTV2416CB	2 A	4 A	8 A
HPTV2416-1	5 A	8 A	16 A
HPTV2416-1CB	2 A	8 A	16 A

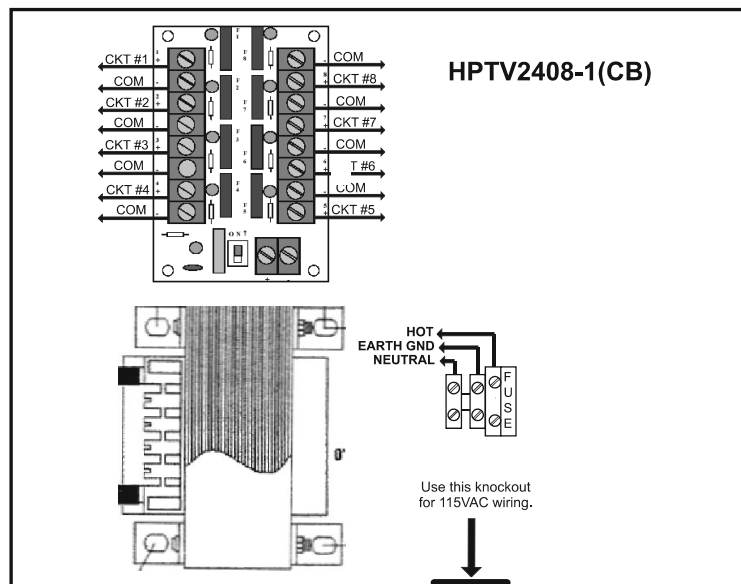
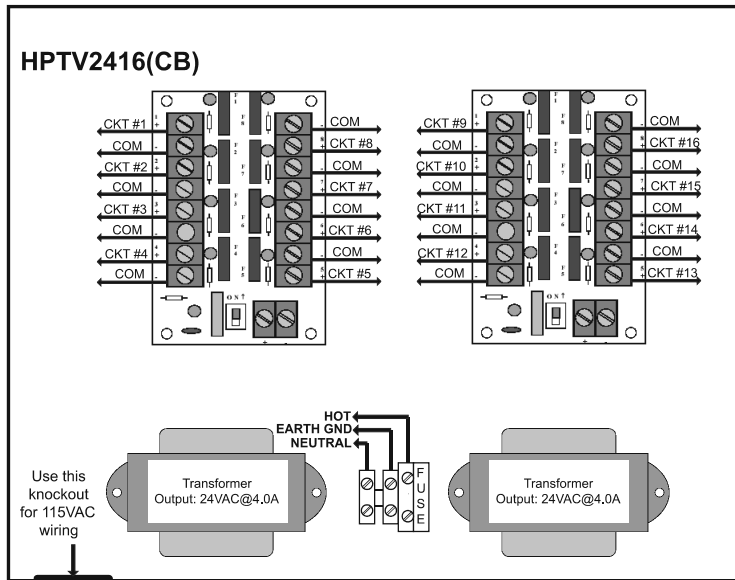
- Surge and transient protection.
- Transformer has built-in thermal protection.
- LED Indicator Lights:
  - Input Power LED (2 green) – ON indicates that 24VAC is present at distribution boards.
  - Output Power LEDs (16 green) – ON indicates that 24VAC is present at the related output circuit.
- Overload Protection
  - Terminal Block Fuse: 5x20MM Cartridge
  - Main Secondary Fuse: 32 V, Automotive Style
  - Individual Output Circuits have automotive style fuse or resettable PTCs
  - SPECIAL NOTE: To reset a PTC that has experienced an overload or short circuit, disconnect power for 5 minutes to allow the PTC to reset itself.

	Terminal Block Fuse	Secondary Fuse	Individual Outputs
HPTV2416	3 A (250 V)	5 A	3 A Fuse
HPTV2416CB	3 A (250 V)	N.A.	PTC*
HPTV2416-1	6 A (125 V)	10 A	5 A Fuse
HPTV2416-1CB	6 A (125 V)	N.A.	PTC*
*PTC hold current rating: 2.0 A at 50°C			

- Power ON/OFF switch on each Distribution Board.
- AC line cord included.
- Unit maintains camera synchronization.
- Vented enclosure with hinged door and five convenient knockouts.
- Design for quick installation.
- Maximum temperature range: 32°F to 120°F (0°F to 49°C); indoor use only.
- Cabinet dimensions: 11.5 " W x 4.875 " D x 10 " H (29.21 cm W x 12.38 cm D x 25.4 cm H).

### 3 Installation Instructions

1. Unpack product. Do not discard packing materials until installation and checkout are successfully completed.
2. Pre-drill holes where enclosure is to be mounted. Choose a vertical surface, strong enough to support the full weight of the assembly, located in an area without excessive moisture. This unit is for indoor installation only.
3. Secure enclosure to the desired location, using appropriately sized fasteners that can support the full weight of the assembly.
4. Disconnect power to the branch circuit to which the product will be connected.
5. On each Distribution Board, Slide SW1 switch to OFF position
6. Connect incoming AC power (115 V, 60 Hz):
  - Hot (black) to terminal marked "L".
  - Neutral (White) to terminal marked "N".
  - Ground to terminal marked "G".
7. Use the knockout in bottom of cabinet for 115 VAC wiring on HPTV2416 and HPTV2416CB. Use the Right slide knockout for 115 VAC wiring on HPTV2416-1 and HPTV2416-1CB. Route the 115 VAC wiring at least 3/8" (0.953 cm) from 24 VAC (low voltage) wiring.
8. Keep a 1/4" (0.635 cm) separation between power limited wiring (output circuits on HPTV2416CB and HPTV2416-1CB) and non-power limited wiring. Use separate knockouts for power limited wiring.
9. Connect CCTV cameras (or other external loads) to appropriate terminals. Connect circuit #1 to terminals marked "1+" and "-". Connect circuit #2 to terminal is marked "2+" and "-". Continue to connect the remaining circuits carefully observing polarity. Terminals marked with "-" are of the same polarity.
10. Power the branch circuit and slide SW1 on each Distribution Board to the ON position. All eighteen green LEDs should illuminate.
11. Upon completion of wiring, secure cabinet door with screws supplied, to prevent access by unauthorized personnel.



**WARNING:**

- To reduce risk of electric shock, do not expose unit to rain or excessive moisture, and disconnect power before servicing unit.
- For continuous protection against hazard, replace fuses only with exact type and rating.
- A readily accessible switched circuit breaker must be available to disconnect mains power as required.
- All 120 V wiring should be routed so that it cannot touch 24 V wiring; minimum spacing 3/8" (0.953 cm).
- Installation & servicing should only be made by qualified personnel; contains no user-serviceable parts.
- Install in accordance with all local regulations and the National Electrical Code.



**NOTE:** For additional information

- Visit our website: <http://www.honeywellpower.com>
- Contact Technical Support: (877) HPP-POWER (477-7690)
- Email us: [hpp\\_techserv@honeywell.com](mailto:hpp_techserv@honeywell.com)