

1 Overview

HP24200WP and HP28175WP power supplies provide power for applications such as access control, security, and CCTV applications that require outdoor installation. The HP24200WP provides a non-power limited output of 24VAC @ 8.0 Amps and the HP28175WP provides 28VAC @ 6.25 Amps of continuous supply current. Each unit consists of a thermally-fused transformer and an electrically-fused primary input in a NEMA 4X weatherproof enclosure with included mounting hardware.

2 Specifications

- **HP24200WP:**
 - Input: 115VAC, 60Hz 1.67A
 - Output: 24VAC, 60Hz 8.0A
 - Fuse Rating: 3A 5 x 20mm 250 VAC
- **HP28175WP:**
 - Input: 115VAC, 60Hz 1.52A
 - Output: 28VAC, 60Hz 6.25A
 - Fuse Rating: 3A 5 x 20mm 250 VAC

3 Installation Instructions

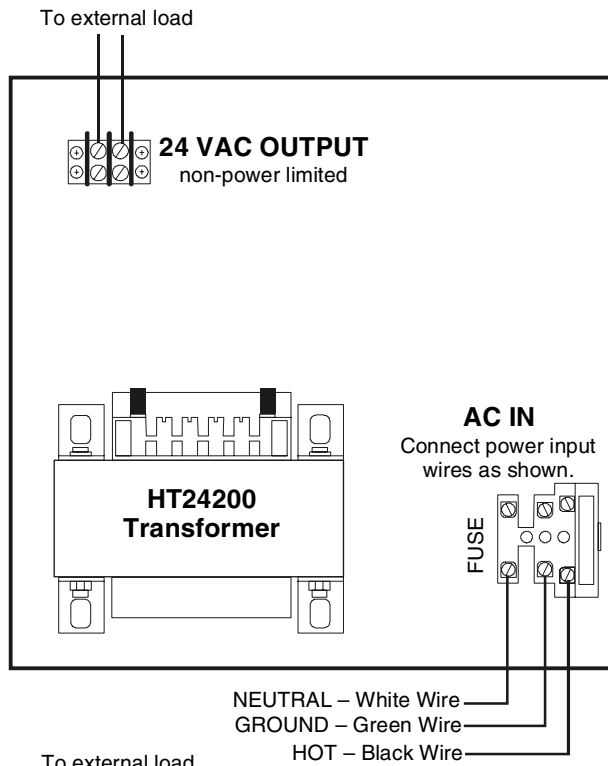
1. Unpack product. Do not discard packaging materials until installation and checkout are complete.
2. Pre-drill holes where enclosure is to be mounted. Choose a vertical surface, strong enough to support the full weight of the assembly. Outdoor installation only. Note the added dimensions of the required mounting brackets.
3. Use knockout punch, standard hole saw, or other means to make holes for incoming AC power and low voltage wiring. Non-power limited wiring must be wired using weatherproof conduit or suitable outdoor wiring.
4. Secure enclosure to the desired location.
5. Disconnect power to the branch circuit.
6. Connect AC power to fused AC terminal block as shown in illustration.
7. Connect CCTV cameras (or other external loads) to appropriate output terminals. See illustration.
8. Secure door on weatherproof enclosure.
9. Power the branch circuit.



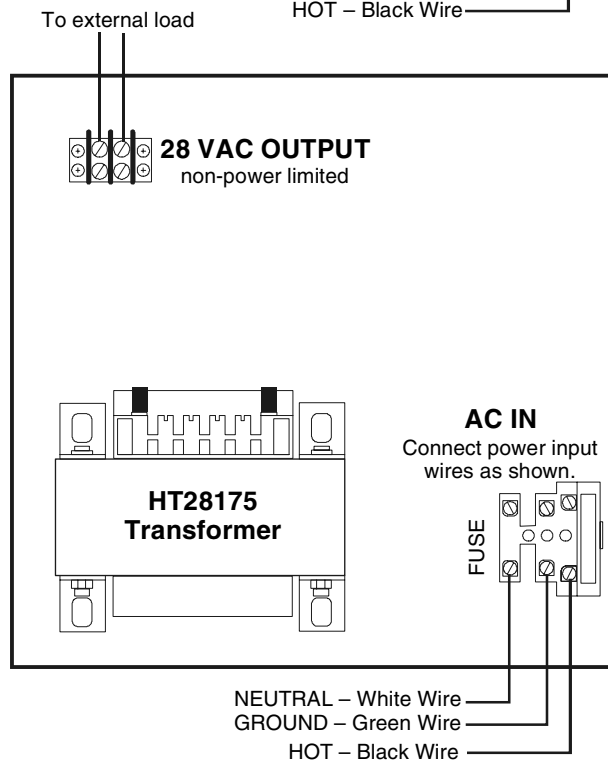
WARNING: Risk of electrical shock and/or equipment damage!

To reduce risk of electric shock, do not expose inside of unit to rain or excessive moisture, and disconnect power before servicing unit. For continuous protection against hazard, replace fuses only with exact type and rating. A readily accessible switched circuit breaker must be available to disconnect main power as required. This unit contains no user-serviceable parts. Installation and servicing should only be made by qualified personnel. Install in accordance with all local regulations and the National Electrical Code.

**HP24200WP
Power Supply Board**



**HP28175WP
Power Supply Board**



For additional information:

- Visit our website at <http://www.honeywellpower.com>
- Contact Technical Support at 1(877) HPP-POWR
- E-mail us at hpp.techserv@honeywell.com