

1 Overview

The HPTV2408CE(CB) and the HPTV2416CE(CB) are CCTV power supplies and distribution units designed for 220 VAC 50/60 Hz operation. The HPTV2408CE(CB) provides a constant source of 24 VAC with a total of 4 amps of supply current, while the HPTV2416CE(CB) provides a constant source of 24 VAC with a total of 8 amps of supply current. On the HPTV2408CE(CB) there are eight individual outputs that route power to operate CCTV cameras and other video accessories, while the HPTV2416CE(CB) has sixteen individual outputs. For overload protection, the HPTV2408CE and the HPTV2416CE are equipped with automotive style fuses, while the HPTV2408CECB and the HPTV2416CECB have auto-resettable PTCs.

2 Specifications

- Input
 - HPTV2408CE(CB): 220 VAC, 50/60 Hz, 0.5 A
 - HPTV2416CE(CB): 220 VAC, 50/60 Hz, 1.0A
- Output
 - HPTV2408CE(CB): 4 A @ 24 VAC (100 VA), total output
 - HPTV2416CE(CB): 8 A @ 24 VAC (200VA), total output
- Eight or sixteen individual outputs
- Maximum Current Rating:

	Any Output	Total Output
HPTV2408CE	3 A	4 A
HPTV2408CE(CB)	2.5 A @ 20C	4 A
HPTV2416CE	3 A	8 A
HPTV2416CE(CB)	2.5 A @ 20C	8 A

- Surge and transient protection.
- Transformer has built-in thermal protection.
- LED Indicator Lights:
 - Input Power LED (1 green per board); indicates when 24 VAC is present at distribution board.
 - Output Power LED (8 green per board); indicated when 24 VAC is present at the related output.
- Overload Protection:
 - Terminal Block Fuse: 250 V, 1.6 A 5 x 20 mm.
 - Main Secondary Fuse: 32 V, 5 A automotive style fuse (HPTV2408CE & HPTV2416CE only).
 - Individual output Circuits have automotive style fuse or resettable PTCs. (*Note: To reset a PTC that experienced an overload or short circuit, disconnect power for 5 minutes to allow PTC to reset itself.*)
- Power ON/OFF switch.
- Unit maintains camera synchronization.
- Vented enclosure with hinged door and five convenient knockouts.

Continued on next page...

- Maximum Temperature Range: 32°F to 120°F (0°C to 49°C); indoor use only.
- Cabinet Dimensions: 11.5”[W] x 4.875”[D] x 10”[H] (cm: 29.21[W] x 12.38[D] x 25.4[H])

	Terminal Block Fuse	Secondary Fuse	Individual Outputs
HPTV2408CE	1.6 A	5 A	3 A Fuse
HPTV2408CECB	1.6 A	N/A	2.5 A @ 25C
HPTV2416CE	1.6 A	5 A per distribution board	3 A
HPTV2416CECB	1.6 A	N/A	2.5 A @ 25C

3 Installation Instructions

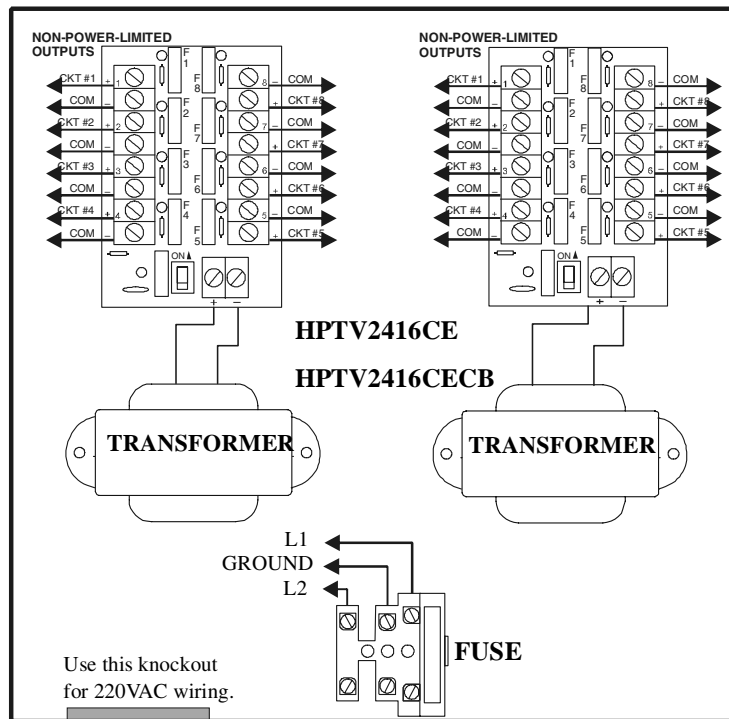
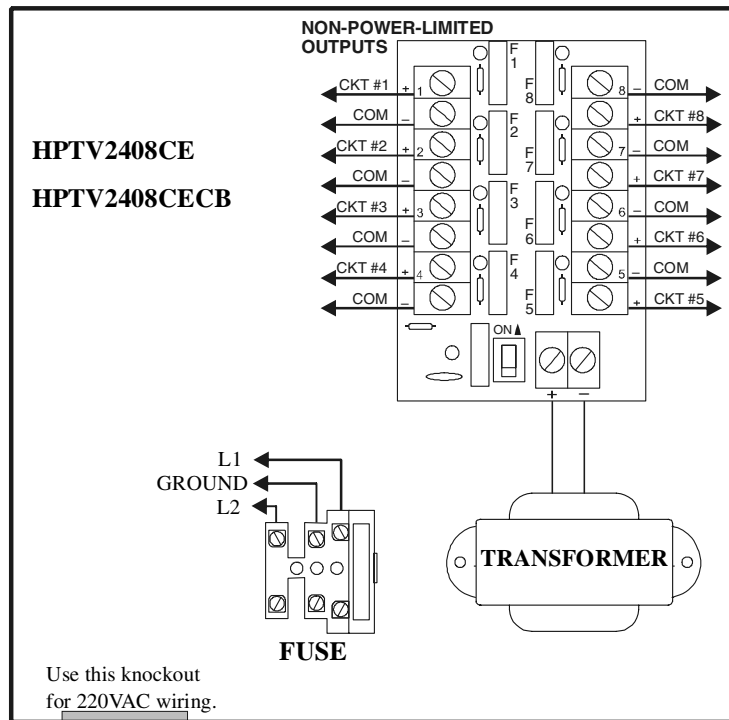
1. Unpack product. Do not discard packing materials until installation and checkout are successfully completed.
2. Pre-drill holes where enclosure is to be mounted. Choose a vertical surface strong enough to support the full weight of the assembly located in an area without excessive moisture. (This unit is intended for indoor installation only.)
3. Secure enclosure to desired location using appropriately sized fasteners that can support the full weight of the assembly.
4. Disconnect power to the branch circuit where the product will be connected.
5. Place SW1 switch in the ‘OFF’ position.
6. Connect incoming AC power (220 VAC, 50/60 Hz) and ground as shown in diagram. Use included power cord and strain relief connector or UL approved power input wiring. (Cord provided may not be compatible with every region’s power system.
7. Use knockout in bottom of cabinet for 220 VAC wiring and route the wiring at least 3/8” (0.953cm) away from 24 VAC (low voltage) wiring.
8. Keep a 1/4” (0.635cm) separation between power limited wiring and non-power limited wiring. Use separate knockouts for power limited wiring.
9. Connect video cameras (or other external loads) to appropriate terminals. Connect circuit #1 to terminals marked ‘1+’ and ‘1-’. Connect circuit #2 to terminals marked ‘2+’ and ‘2-’. Continue to connect the remaining circuits carefully observing polarity. Terminals marked with ‘-’ are of the same polarity.
10. Power the branch circuit and slide SW1 to the ‘ON’ position. All LEDs should illuminate.
11. To avoid potential damage measure output voltage and verify output limits are not exceeded.
12. Upon completion of installation, secure cabinet door with screws supplied to prevent access by unauthorized personnel



WARNING: Risk of Injury and/or Equipment Damage!

To reduce risk of electric shock, do not expose unit to rain or excessive moisture. Removal of primary terminal fuse is not a means of a circuit disconnect. Always disconnect main AC feed before installing or servicing unit. A readily accessible switched circuit breaker must be available to disconnect main power as required. All power limited wiring should be routed so that it cannot touch non-power limited wiring. No user-serviceable parts inside. Installation and servicing should only be made by qualified personnel. Install in accordance with all local regulations and the National Electrical Code."

Continued on next page...



For additional information:

- Visit our website at <http://www.honeywellpower.com>
- Contact Technical Support at 1(877) HPP-POWER
- E-mail us at hpp.techserv@honeywell.com