

1 Overview

These Honeywell Rack Mount CCTV power supplies will provide 24 VAC power distributed via 16 circuits for powering CCTV cameras and other video equipment. Each circuit will be fuse protected at 3.0A, or PTC protected at 2.5A. Fuses are accessible directly through the front panel by removing six screws.

2 Specifications

- Input: 117VAC, 60Hz, 2A.
- Output: 8A @ 24VAC (200VA).
- Maximum current rating:
 - HPR2416UL: any output, 3A; total supply, 8A @ 24VAC**.
 - HPR2416CBUL: any output, 2.5A*; total supply, 8A @ 24VAC**.
- * PTC Protected Class 2 Power Limited Outputs.
- ** Outputs 1 to 8 provide 4A @ 24VAC (100VA).
- ** Outputs 9 to 16 provide 4A @ 24VAC (100VA).
- 16 outputs.
- Surge and transient protection.
- Transformer has built-in thermal protection.
- Indicator Lights:
 - Input Power Indicator (1 red): Illuminated power switch/circuit breaker.
 - Output Power LEDs (16 green): ON indicates that AC is present at the related output circuit.
- Overload Protection:
 - Input power switch has built-in circuit breaker.
 - AC line fuse (5 x 20mm glass).
 - Individual output circuits have a glass fuse (5 x 20mm) or resettable PTCs.
 - *NOTE: To reset a PTC that has experienced an overload or short circuit, switch power off for 5 minutes to allow the PTC to reset itself.*
- Factory installed three-conductor AC line cord.
- Unit maintains camera synchronization.
- 2U rack chassis for use in standard EIA 19" rack.
- Removable rear terminal blocks.
- Line power rocker switch with built-in circuit breaker indicates power on with red neon lamp.
- Designed for quick installation.
- Maximum Temperature Range: 32°F to 120°F (0°C to 49°C); for indoor use only



WARNING: TO REDUCE THE RISK OF FIRE OR ELECTRIC SHOCK, DO NOT EXPOSE THIS APPLIANCE TO RAIN OR MOISTURE.

For continuous protection against hazard, replace fuses only with exact type and rating. All 117V wiring should be routed so that it cannot touch 24V wiring; minimum spacing 3/8" (0.953cm). This installation should be made by a qualified service person and should confirm to all local codes. Install in accordance with the National Electrical Code.

3 Installation Instructions

1. Unpack product. Do not discard packing materials until installation and checkout are successfully completed.
2. Mount unit in 19" rack only. Do not obstruct side air vents.
3. Verify that power switch on back of unit is in the OFF position (See Figure 2 - Rear View of Power Supply).
4. Plug power cord into grounded 117V, 60Hz receptacle.
5. Set power switch on back of unit to ON (RESET) position and verify output voltage. Set power switch on back of unit to the OFF position.
6. Connect CCTV cameras (or other external loads) to appropriate terminals. Connect circuit #1 to terminals marked "1P" and "N". Connect circuit #2 to terminals marked "2P" and "N". Continue to connect the remaining circuits carefully observing phase. Terminals marked with "P" are of the same phase.
7. Upon completion of wiring, set the power switch on back of the unit to the ON (RESET) position. The red power indicator on the power switch should illuminate.
8. All sixteen green LEDs on faceplate should illuminate. If an output has a blown fuse or tripped PTC the corresponding LED will not illuminate.
9. Upon completion of wiring, secure terminal blocks by tightening screws on flanges..

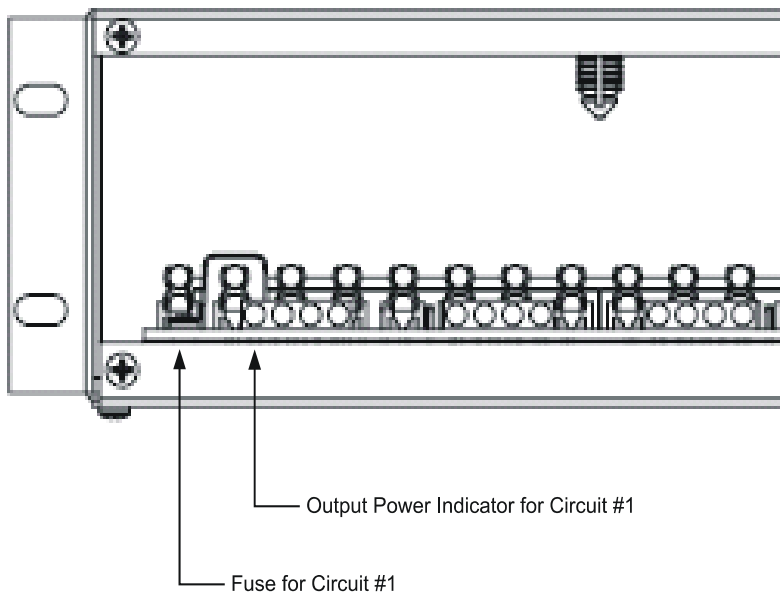
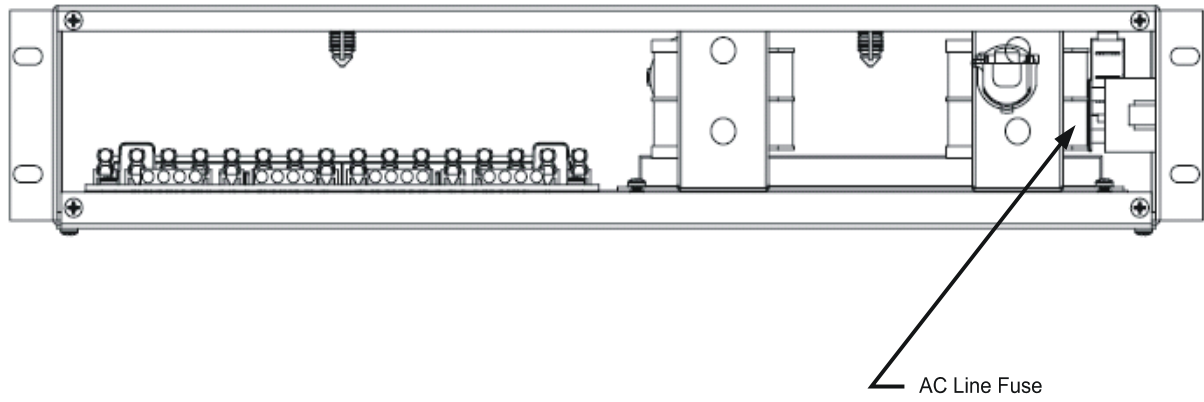
4 Troubleshooting

1. If the red power indicator on the power switch is not illuminated:
 - Verify that 117VAC power is present at receptacle.
 - Verify that the unit is plugged into the 117VAC power receptacle.
 - Verify that the power switch is in the ON (RESET) position.
 - Try resetting the circuit breaker in the power switch by setting to OFF position then back to ON (RESET) position.
2. If none of the green LEDs on faceplate are illuminated while power switch is illuminated:
 - Set power switch on back of unit to the OFF position.
 - Unplug power cord from receptacle.
 - Remove field wiring to affected circuit(s) and check for shorts and overloads.
 - Replace field wiring after resolving any shorts and/or overload conditions.
 - Replace blown AC line fuse as follows:
 - Remove the six screws holding front panel and remove the front panel.
 - It is not necessary to remove unit from rack.
 - Do not attempt to remove cover.
 - Replace blown fuse(s).
 - Replace and secure front panel.
 - Plug power cord into receptacle.
 - Set power switch on back of unit to the ON (RESET) position.
3. If any of the sixteen green LEDs on faceplate are not illuminated while power switch is illuminated:
 - Set power switch on back of unit to the OFF position.
 - Unplug power cord from receptacle.
 - Remove field wiring to affected circuit(s) and check for shorts and overloads.
 - Replace field wiring after resolving any shorts and/or overload conditions.
 - Replace blown fuses on HPR2416UL as follows:
 - Remove the six screws holding front panel and remove front panel.
 - It is not necessary to remove unit from rack.
 - Do not attempt to remove cover.
 - Replace blown fuse(s).

Continued on next page...

- Replace and secure front panel.
- The PTCs on the HPR2416ULCB will reset automatically while power is off.
- Plug power cord into receptacle.
- Set power switch on back of unit to the ON (RESET) position.

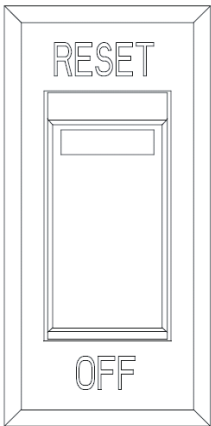
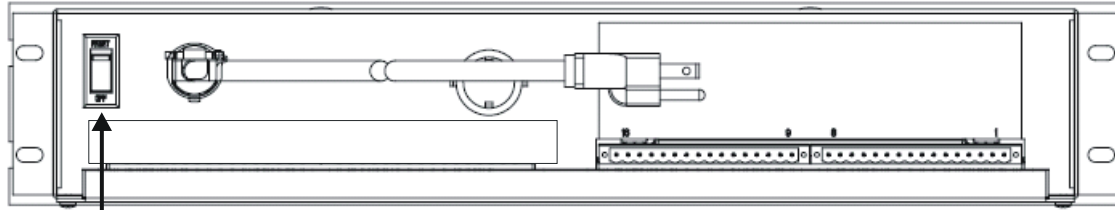
Figure 1 - Power Supply with Front Panel Removed



52992bd1.wmf

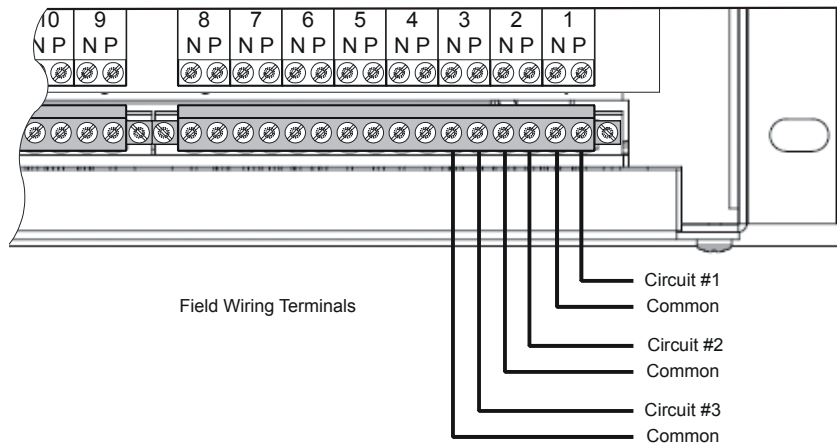
Continued on next page...

Figure 2 - Rear View of Power Supply



Power ON/OFF Switch
Circuit Breaker

hpreutaway.wmf

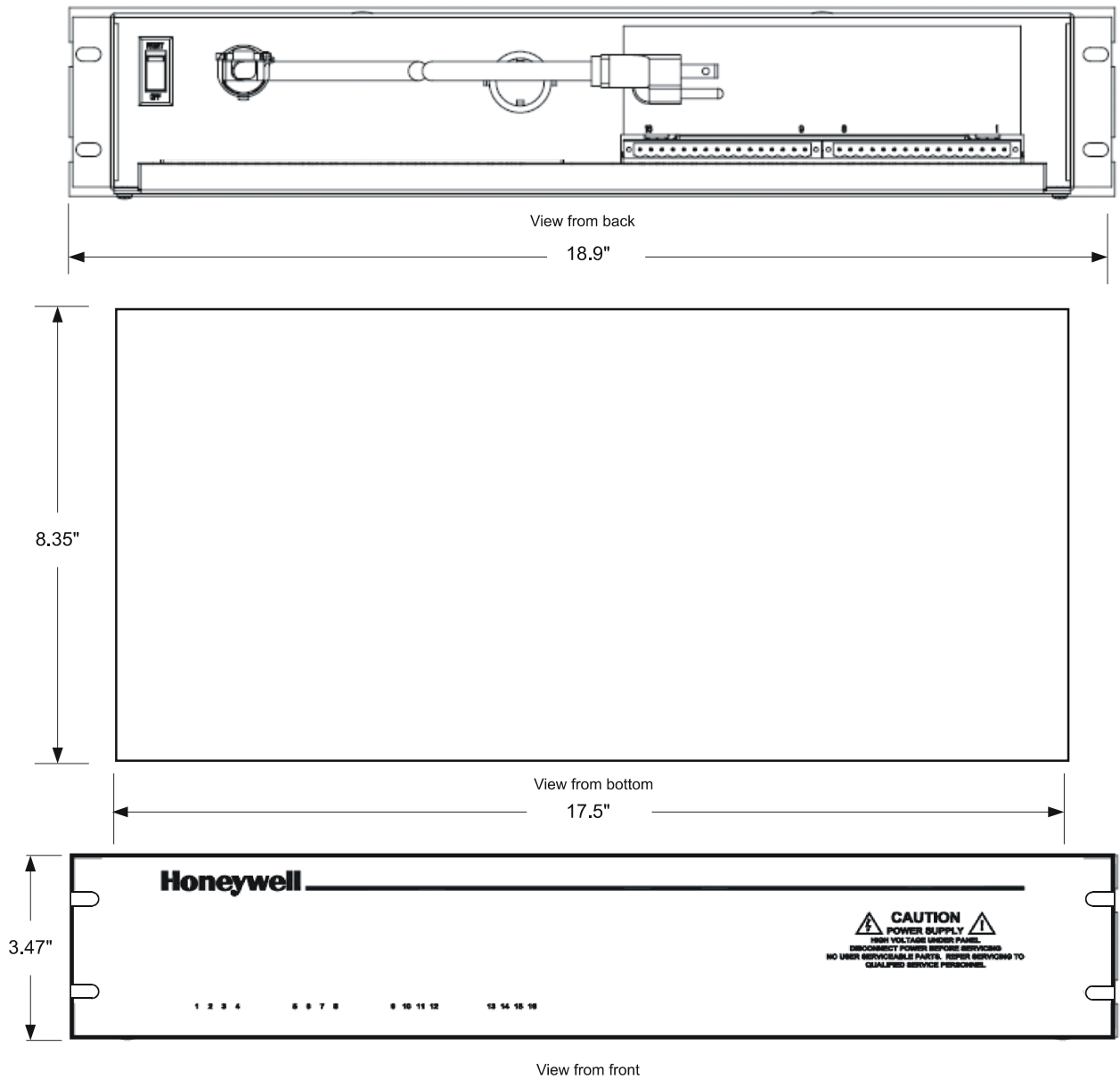


Field Wiring Terminals

- Circuit #1
- Common
- Circuit #2
- Common
- Circuit #3
- Common

Continued on next page...

Figure 3 - Dimesnsions



hprdimensions.wmf

For additional information:

- Visit our website at <http://www.honeywellpower.com>
- Contact Technical Support at 1(877) HPP-POWR
- E-mail us at hpp_techserv@honeywell.com