

## 1 Overview

These Honeywell Rack Mount CCTV power supplies will provide 24 VAC or 28 VAC power distributed via 16 circuits for powering CCTV cameras and other video equipment. Outputs are configurable for 24V or 28V operation in banks of eight. Each circuit will be fuse protected at 3.0A, or PTC protected at 2.5A. Fuses and voltage configuration switches are accessible directly through the front panel by removing six screws.

## 2 Specifications

- Input:
  - HPR2416300UL & HPR2416300CBUL - 117V, 60Hz, 3A.
  - HPR2416600UL & HPR2416600CBUL - 117V, 60Hz, 6A.
  - HPR2416600CE & HPR2416600CBCE - 230V, 50/60Hz, 3A.
- Output:
  - HPR2416300UL & HPR2416300CBUL - 300VA, 12.5A @ 24VAC or 10.7A @ 28VAC.
  - HPR2416600UL & HPR2416600CBUL - 600VA, 25A @ 24VAC or 21.4A @ 28VAC.
  - HPR2416600CE & HPR2416600CBCE - 600VA, 25A @ 24VAC or 21.4A @ 28VAC.
- 16 outputs.
- Maximum current rating:
  - HPR2416300UL: any output, 3A; total supply, 12.5A @ 24VAC or 10.7A @ 28VAC.
  - HPR2416300CBUL: any output, 2.5A\*; total supply, 12.5A @ 24VAC or 10.7A @ 28VAC.
  - HPR2416600UL: any output, 3A; total supply, 25A @ 24VAC or 21.4A @ 28VAC\*\*.
  - HPR2416600CBUL: any output, 2.5A\*; total supply, 25A @ 24VAC or 21.4A @ 28VAC\*\*.
  - HPR2416600CE: any output, 3A; total supply, 25A @ 24VAC or 21.4A @ 28VAC\*\*.
  - HPR2416600CDCE: any output, 2.5A\*; total supply, 25A @ 24VAC or 21.4A @ 28VAC\*\*.

\* PTC Protected Class 2 Power Limited Outputs.  
\*\* Outputs 1 to 8 provide 12.5A @ 24VAC OR 10.7A @ 28VAC.  
\*\* Outputs 9 to 16 provide 12.5A @ 24VAC OR 10.7A @ 28VAC .
- Surge and transient protection.
- Transformer has built-in auto-resettable thermal protection.
- Indicator Lights:
  - Input Power Indicator (1 red): Illuminated power switch/circuit breaker.
  - Output Power LEDs (16 green): ON indicates that AC is present at the related output circuit.
- Overload Protection:
  - Input power switch has built-in circuit breaker.
  - Individual output circuits have 5 x 20mm glass fuse or resettable PTCs.
  - *NOTE: To reset a PTC that has experienced an overload or short circuit, switch power off for 5 minutes to allow the PTC to reset itself.*
- Factory installed three-conductor AC line cord with North American NEMA 5-15 plug (117V supplies) or European Schuko Type, CEE 7/7 plug (230V supplies).
- Unit maintains camera synchronization.

Continued on next page...

- 2U rack chassis for use in standard EIA 19" rack.
- Removable rear terminal blocks.
- Line power rocker switch with built-in circuit breaker indicates power on with red neon lamp.
- Designed for quick installation.
- Maximum Temperature Range: 32°F to 120°F (0°C to 49°C); for indoor use only.




---

**WARNING: TO REDUCE THE RISK OF FIRE OR ELECTRIC SHOCK, DO NOT EXPOSE THIS APPLIANCE TO RAIN OR MOISTURE.**

For continuous protection against hazard, replace fuses only with exact type and rating. All 117V/230V wiring should be routed so that it cannot touch 24V wiring; minimum spacing 3/8" (0.953cm). This installation should be made by a qualified service person and should confirm to all local codes. Install in accordance with the National Electrical Code.

---

### 3 Installation Instructions

1. Unpack product. Do not discard packing materials until installation and checkout are successfully completed.
2. The unit is factory set for 24VAC operation. If 28VAC operation is desired:
  - Remove the six screws holding front panel;
  - Remove front panel;
  - Set voltage configuration switches for desired output (see Figure 1 - Power Supply with Front Panel Removed);
  - NOTE: Outputs are configurable for 24V or 28V operation in banks of 8. It is not necessary to set all banks for the same voltage. Example, you can set bank 1 (circuit 1 to 8) for 24V, while setting bank 2 (circuits 9 to 16) for 28V;
  - Replace and secure front panel.
3. Mount unit in 19" rack only. Do not obstruct side air vents.
4. Verify that power switch on back of unit is in the OFF position (See Figure 2 - Rear View of Power Supply).
5. Plug power cord into grounded 117V, 60Hz (230V, 50/60Hz for HPR2416600CE & HPR2416600CBCE) receptacle.
6. Set power switch on back of unit to ON (RESET) position and measure output voltage. This will verify that voltage is set correctly and will help avoid potential damage. Measure the output voltage on both banks (circuits #1 and #9) since outputs are configurable for 24V or 28V operation in banks of 8. Set power switch to OFF.
7. Connect CCTV cameras (or other external loads) to appropriate terminals. Connect circuit #1 to terminals marked "1P" and "N". Connect circuit #2 to terminals marked "2P" and "N". Continue to connect the remaining circuits carefully observing phase. Terminals marked with "P" are of the same phase.
8. Upon completion of wiring, set the power switch on back of the unit to the ON (RESET) position. The red power indicator on the power switch should illuminate.
9. All sixteen green LEDs on faceplate should illuminate. If an output has a blown fuse or tripped PTC the corresponding LED will not illuminate.
10. Upon completion of wiring, secure terminal blocks by tightening screws on flanges..

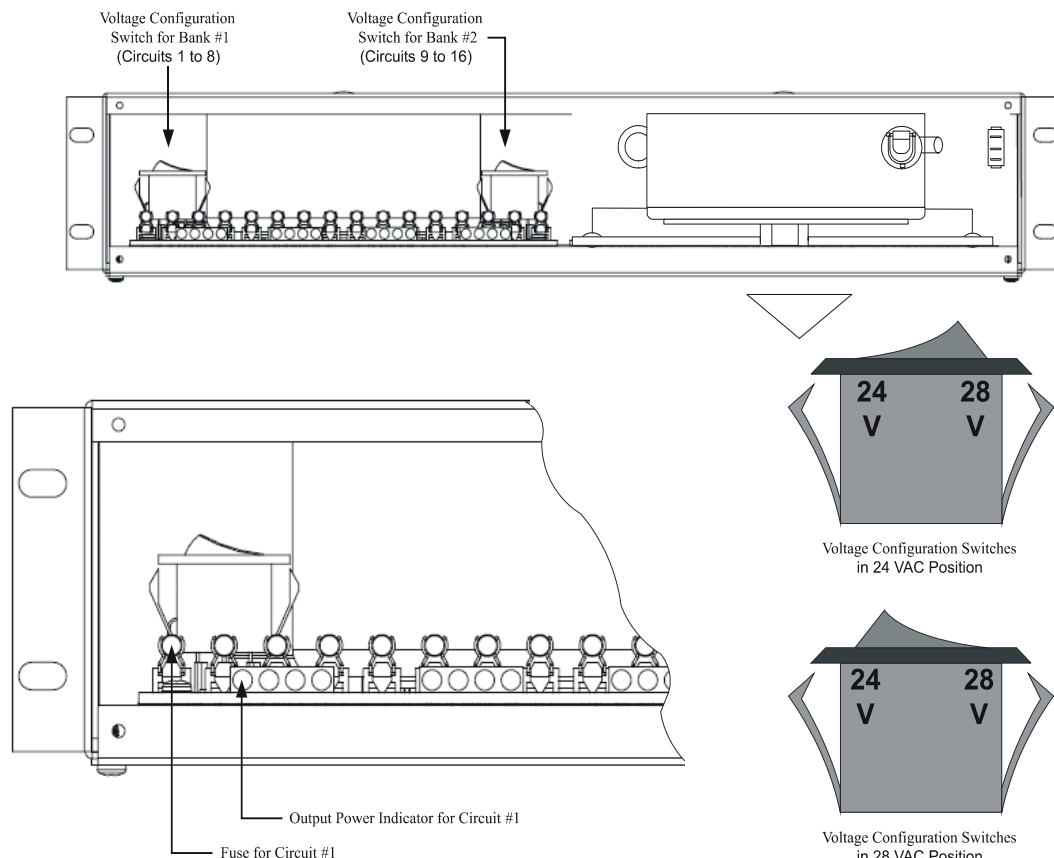
### 4 Troubleshooting

1. If the red power indicator on the power switch is not illuminated:
  - Verify that power is present at receptacle.
  - Verify that the unit is plugged into the power receptacle.
  - Verify that the power switch is in the ON (RESET) position.
  - Try resetting the circuit breaker in the power switch by setting to OFF position then back to ON (RESET) position.
2. If none of the green LEDs on faceplate are illuminated while power switch is illuminated:
  - Set power switch on back of unit to the OFF position.

*Continued on next page...*

- Unplug power cord from receptacle.
  - Remove field wiring to affected circuit(s) and check for shorts and overloads.
  - Replace field wiring after resolving any shorts and/or overload conditions.
  - Allow the power supply to cool. Cooling could take an hour or more.
  - Plug power cord into receptacle.
  - Set power switch on back of unit to the ON (RESET) position.
3. If some of the sixteen green LEDs on faceplate are not illuminated while power switch is illuminated:
- Set power switch on back of unit to the OFF position.
  - Unplug power cord from receptacle.
  - Remove field wiring to affected circuit(s) and check for shorts and overloads.
  - Replace field wiring after resolving any shorts and/or overload conditions.
  - Replace blown fuses on HPR2416300UL, HPR2416600UL & HPR2416600CE as follows:
    - Remove the six screws holding front panel and remove front panel.
    - It is not necessary to remove unit from rack.
    - Do not attempt to remove cover.
    - Replace blown fuse(s) on affected circuits.
    - Replace and secure front panel.
  - The PTCs on the HPR2416300CBUL, HPR2416600CBUL & HPR2416600CBCE will reset automatically while power is off.
  - Plug power cord into receptacle.
  - Set power switch on back of unit to the ON (RESET) position.

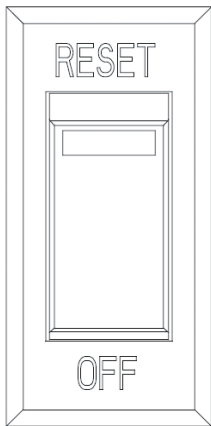
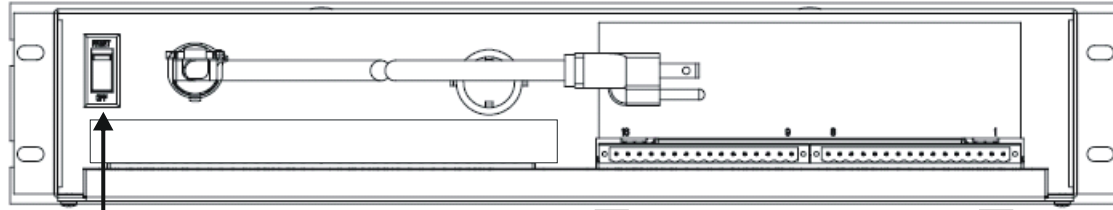
**Figure 1 - Power Supply with Front Panel Removed**



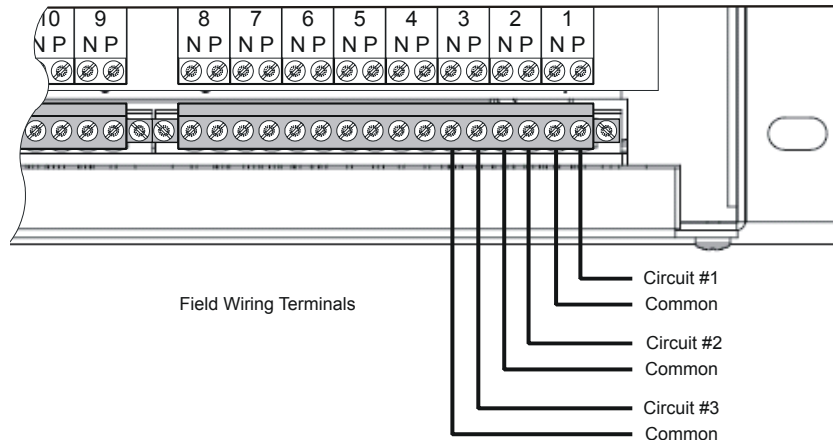
*Continued on next page...*

52993bd1.wmf

Figure 2 - Rear View of Power Supply



Power ON/OFF Switch  
Circuit Breaker



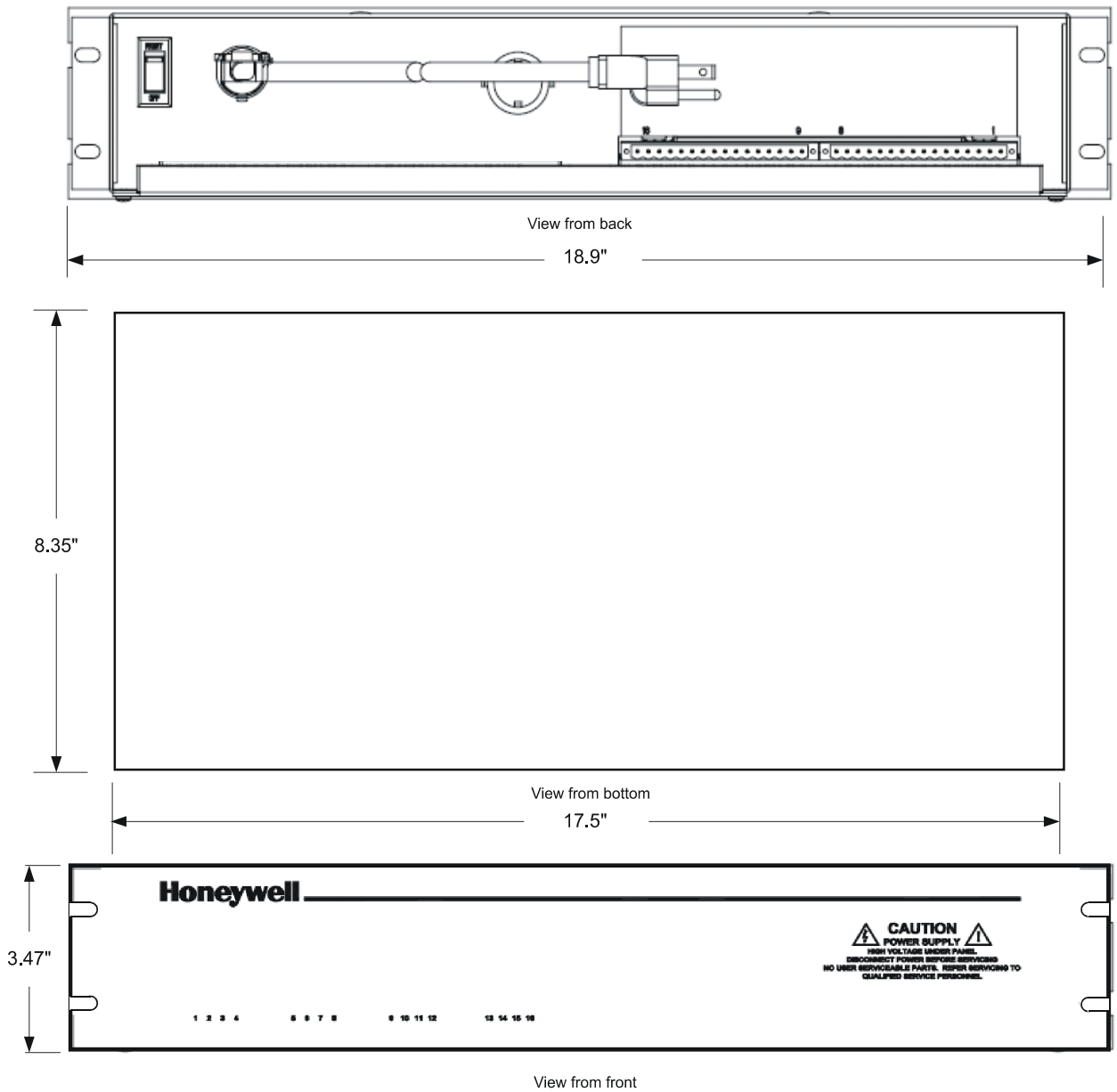
Field Wiring Terminals

- Circuit #1
- Common
- Circuit #2
- Common
- Circuit #3
- Common

hprcutaway.com

*Continued on next page...*

**Figure 3 - Dimensions**



hprdimensions.wmf

For additional information:

- Visit our website at <http://www.honeywellpower.com>
- Contact Technical Support at 1(877) HPP-POWR
- E-mail us at [hpp\\_techserv@honeywell.com](mailto:hpp_techserv@honeywell.com)