

1 Overview

The HPTV2416-E and HPTV2416CB-E are video power supplies and distribution units that offer Honeywell value in a cost efficient package. Each of these power supplies provide a constant source of 24 VAC at 8 Amps of supply current which can be routed to CCTV cameras or other video accessories through sixteen individual outputs. The HPTV2416-E power supply includes sixteen fuse protected outputs while the HPTV2416CB-E includes sixteen auto-resettable PTC protected outputs.

2 Specifications

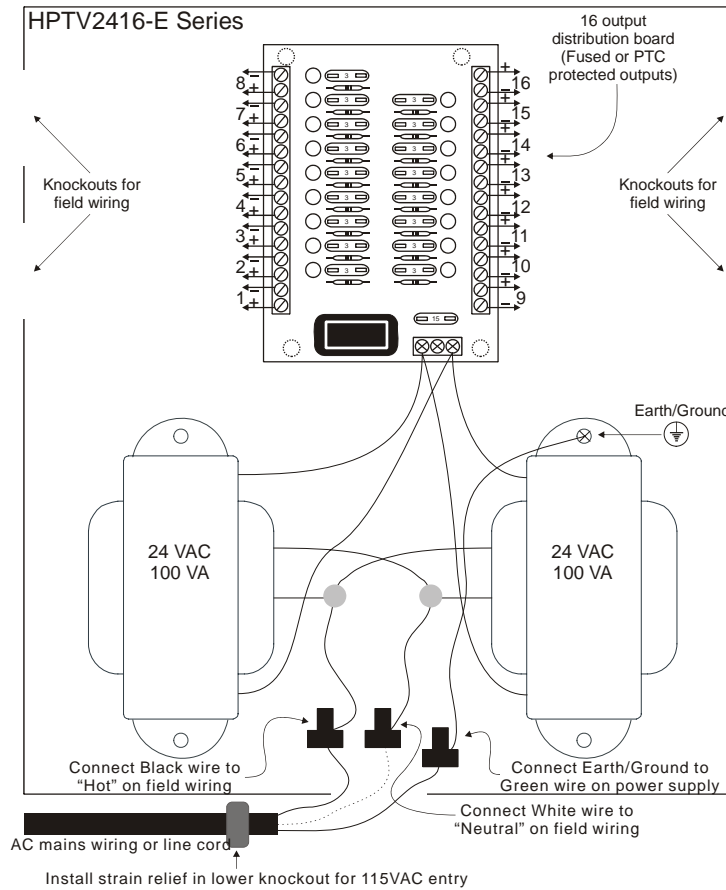
- Input: 115 VAC, 60 Hz, 2.0 A.
- 8 A, 24 VAC (200 VA) supply current.
- HPTV2416-E
 - Sixteen fused output circuits.
 - Individual outputs fused at 3.0 A.
 - Main secondary fuse 15.0 A.
- HPTV2416CB-E
 - Sixteen auto-resettable PTC protected outputs.
 - Individual output circuit PTC (Hold Current: 2.5 A @ 20°C).
- Transformer has built-in thermal protection.
- LED indicator lights extinguish when over-current protection operates.
- Power ON/OFF switch.
- AC line cord included.
- Unit maintains cameras synchronization.
- Enclosure includes hinged door and five convenient knockouts.
- Maximum Temperature Range: 32°F to 120°F (0°C to 49°C).
- Cabinet Dimensions: 8.2"H x 7.4"W x 3.0"D.

NOTE: To reset a PTC that has experienced an overload or short circuit, disconnect power for five minutes to allow the PTC to reset. Power supply total output never to exceed 8.0 A.)

3 Installation Instructions

1. Unpack product. Do not discard packing materials until installation and checkout are successfully completed.
2. Pre-drill holes where enclosure is to be mounted.
3. Secure enclosure to the desired location (indoor use only).
4. Disconnect power to the branch circuit to which the product will be connected.
5. Place SW1 to the OFF position on the distribution board.
6. Use the bottom knockout on the cabinet for 115 VAC mains wiring. To use included line cord, install included strain relief as shown in the diagram.
7. Connect incoming AC power (115 VAC, 60 Hz) as specified below using the appropriate connectors.
 - Connect 115 VAC "Hot" wire from field wiring to "Black" wire on power supply.
 - Connect 115 VAC "Neutral" wire from field wiring to "White" wire on power supply.

- Connect “Earth/Ground” wire from field wiring to “Green” wire on power supply.
8. Route CCTV camera (or other external device) wiring to power supply. Use separate knockout and keep a 1/4” (0.635 cm) separation between low voltage wiring (24 VAC) and mains wiring (115 VAC). Secure all wires with appropriate connectors.
 9. To avoid potential danger measure output voltages before connecting devices to verify output limits are not exceeded.
 10. Connect CCTV cameras (or other external devices) to appropriate terminals. Connect circuit 1 to terminals marked “1+” and “-”. Connect circuit 2 to terminals marked “2+” and “-”. Continue to connect the remaining circuits carefully observing polarity.
 11. Power the branch circuit on the distribution board and slide SW1 to the ON position. All green LEDs should illuminate. Verify output voltages before finalizing installation.
 12. Upon completion of wiring, secure the cabinet door with screws supplied to prevent access by unauthorized personnel.



WARNING: To reduce the risk of electric shock do not expose unit to rain or excessive moisture. Disconnect power before servicing unit.

For continuous protection against hazard, replace fuses only with exact type and rating. A readily accessible switched circuit breaker must be available to disconnect main power as required. All 115V wiring must be routed so that it cannot touch 24V wiring; minimum spacing is 1/4” (0.635cm). Installation and servicing should only be made by authorized personnel; contains no user-serviceable parts. Install in accordance with all local regulations and the National Electrical Code.

For additional information:

- Visit our website at <http://www.honeywellpower.com>
- Contact Technical Support at (877) HPP-POWER
- E-mail us at hpp_techserv@honeywell.com