

10.00"

iPGSM-COM - Summary of Connections

ANTENNA

ALL CIRCUITS ARE POWER LIMITED EXCEPT THE BACKUP BATTERY WHICH IS NON-POWER LIMITED.

THE NON-POWER LIMITED WIRING MUST BE SEPARATED FROM THE POWER LIMITED WIRING BY AT LEAST 1/4 INCH.

THE IPGSM-COM EQUIPMENT SHOULD BE INSTALLED IN ACCORDANCE WITH NFPA (NATIONAL FIRE PROTECTION ASSOCIATION) STANDARDS 70 AND 72.

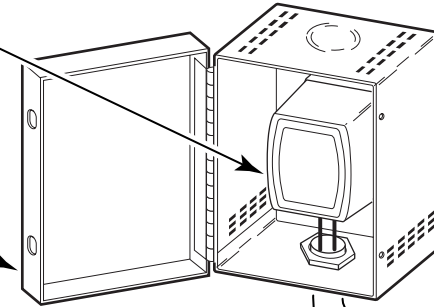
FOR DRY/INDOOR USE ONLY

FOR INSTRUCTIONS SEE 800-04433V1 DATED 12/10

TRANSFORMER (N8167)

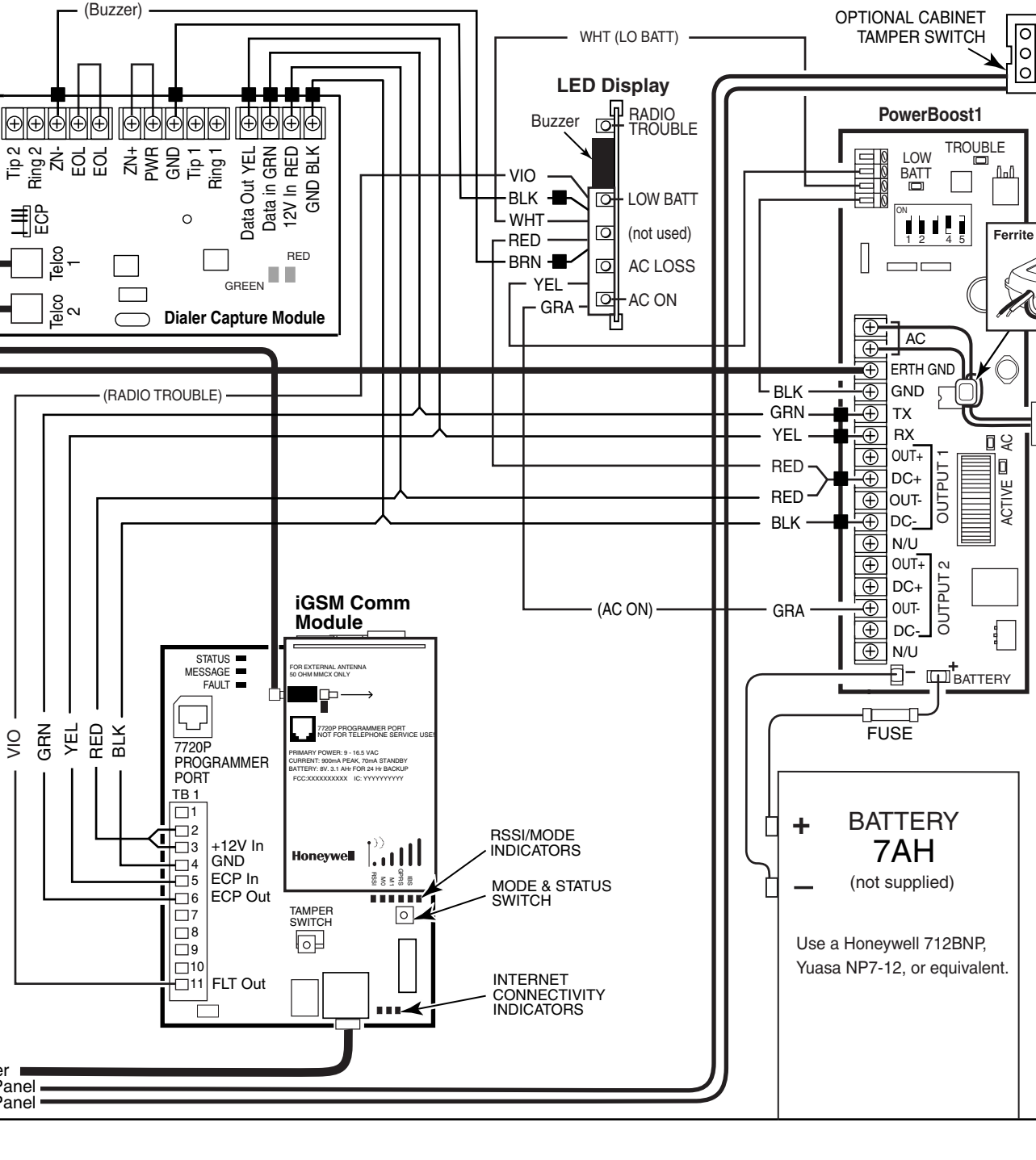
WALL OUTLET BOX (K14358)

CONDUIT



CABINET DOOR

10.00"



Copyright © 2010 Honeywell International Inc.
www.honeywell.com/security

2 Corporate Center Drive, Suite 100
P.O. Box 9040, Melville, NY 11747

Honeywell



800-04434V1 12/10 Rev.A