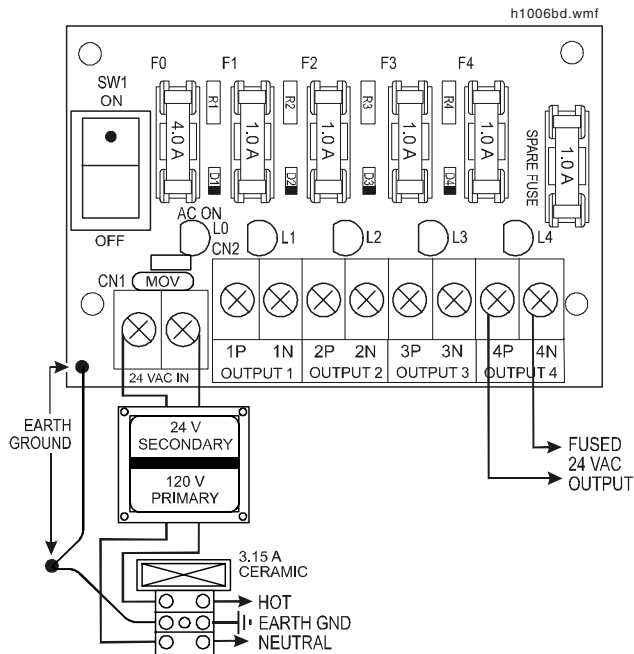


HPTV2404UL

Description

The **HPTV2404UL** is a UL Listed CCTV power supply and distribution unit. It provides a constant source of 24 VAC with 4.0 A supply current. Four individually fused outputs supply power to operate CCTV cameras and other video accessories.



Specifications

- Input: 115 VAC, 60 Hz, 0.9 A.
- Supply current: 4.0 A, 100 VA.
- Four individually fused outputs rated at 1.0 A each (fast blow 5 x 20 mm).
- Incoming primary AC power fused at 3.15 A (fast blow 5 x 20 mm).
- Main output fuse rated at 4.0 A (fast blow 5 x 20 mm).
- Input and output surge and transient protection.
- Transformer features built-in thermal protection.
- AC power LED indicator.
- Individual LED indicators for each output indicate any blown fuses.
- Power disconnect switch.
- Spare fuses included.
- Unit maintains camera synchronization.
- Hinged, vented enclosure with seven convenient knockouts.
- Installs quickly.
- Operating temperature range: -4°F to +95°F (-20°C to +35°C), indoor use only.
- Relative humidity: 85% non-condensing at 86°F (30°C).
- Cabinet dimensions: 10" H x 10" W x 4.5" D (cm: 25.40 H x 25.40 W x 11.43 D).

Listings

Listings and approvals below apply to the basic HPTV2404UL power supply. In some cases, certain modules may not be listed by certain approval agencies, or listing may be in process. Consult factory for latest listing status.

- C/US UL Listed: files UL 60950, E220695.

This document is not intended to be used for installation purposes. We try to keep our product information up-to-date and accurate. We cannot cover all specific applications or anticipate all requirements. All specifications are subject to change without notice. For more information, contact Honeywell Power Products.

Honeywell
12 Clintonville Road
Northford, CT 06472 USA
(203) 484-7161
www.honeywellpower.com

DH-1006
10/11/05
© 2005 Honeywell International Inc.

Honeywell