

HPTV2416UL

CCTV Power Supply and Distribution Unit

Description

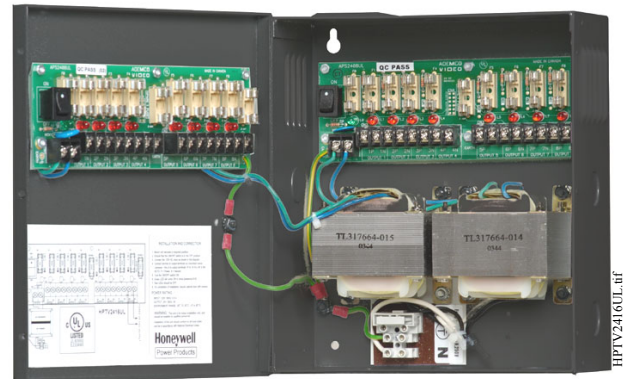
The HPTV2416UL is a CCTV power supply and distribution unit. It provides a constant source of 24 VAC with 8.0 supplies current. Sixteen individually fused outputs supply power to operate CCTV cameras and other video accessories.

Benefits

- An all-in-one power supply and distribution unit enclosed in roomy cabinet.
- Transformer thermal protection limits damage from overloaded circuits.
- LED lights for quick and easy diagnosis, troubleshooting, and status indication.
- Comes fully assembled with accessories included for quick installation.
- Enclosure built for durability and product life.
- Power disconnect switch for easy servicing.
- Power cord included and has three conductors for ground safety convenience.

Features and Specifications

- Input: 115 VAC, 60 Hz, 1.8 A.
- Supply current: 8.0 A, 200 VA.
- Sixteen individually fused outputs rated at 1.0 A each (fast blow 5 x 20 mm).
- Incoming primary AC power fused at 3.15 A (fast blow 5 x 20 mm).
- Main output fuse rated at 4.0 A (fast blow 5 x 20 mm).
- Input and output surge and transient protection.
- Transformer features built-in thermal protection.
- AC power LED indicator.
- Individual LED indicators for each output indicate any blown fuses.

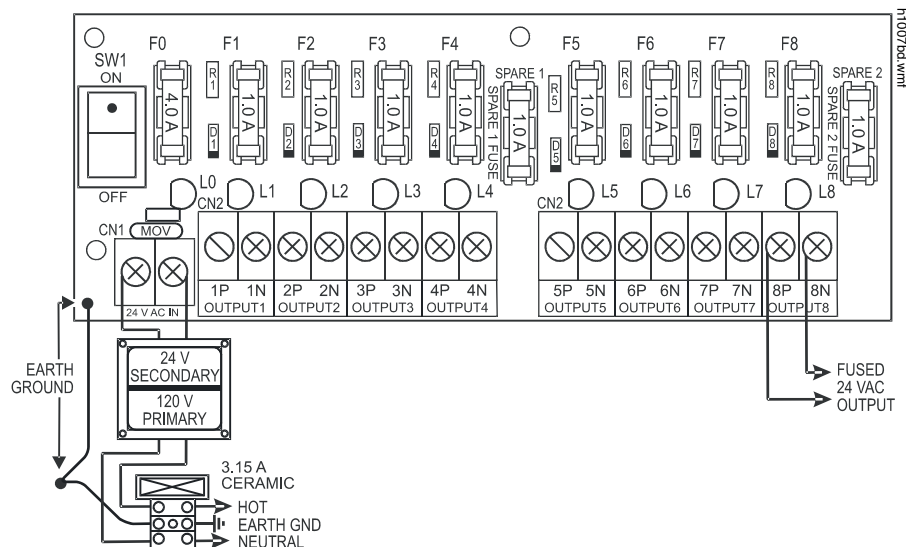


- Power disconnect switch.
- Spare fuses included.
- Unit maintains camera synchronization.
- Hinged, vented enclosure with seven convenient knockouts.
- Installs quickly.
- Operating temperature range: -4°F to $+95^{\circ}\text{F}$ (-20°C to $+35^{\circ}\text{C}$), indoor use only.
- Relative humidity: 85% non-condensing at 86°F (30°C).
- Cabinet dimensions: 10.0" H x 10.0" W x 4.5" D (cm: 25.40 H x 25.40 W x 11.43 D).

Listings

Listings and approvals below apply to the basic HPTV2416UL power supply. In some cases, certain modules may not be listed by certain approval agencies, or listing may be in process. Consult factory for latest listing status.

- C/US UL Listed: files UL60950, E220695.



This document is not intended to be used for installation purposes. We try to keep our product information up-to-date and accurate. We cannot cover all specific applications or anticipate all requirements. All specifications are subject to change without notice.
©2010 by Honeywell International Inc. All rights reserved. Unauthorized use of this document is strictly prohibited.

Automation and Control Solutions

Honeywell

12 Clintonville Road

Northford, CT 06472-1610

www.honeywellpower.com

1(877) HPP-POWR

hpp_techserv@honeywell.com

DH-1008:A
May 2010
Made in the U.S.A.
© U.S. Registered Trademark
© 2010 Honeywell International Inc.
Page 2 of 2



Honeywell