

## HPTV2404WP HPTV2804WP

### Weatherproof Power Supplies

#### Description

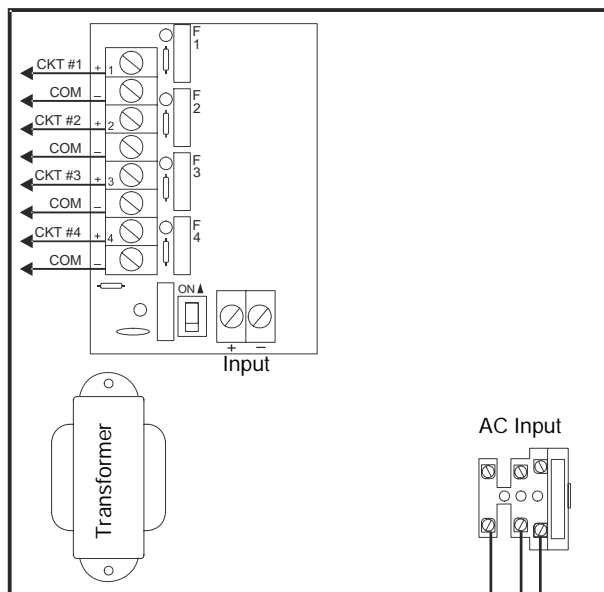
The HPTV2404WP and HPTV2408WP power supply provides a non-power limited continuous supply output of 24VAC @ 4.0A, and the HPTV2804WP provides 28VAC @ 3.6A.

They can supply additional power for access control, security, and CCTV applications that require outdoor installation. The units consist of a thermally-fused transformer and an electrically-fused primary input in a NEMA 4X IP66 weatherproof enclosure with included mounting hardware.



hptv2404wp.jp

HPTV2404WP



hptv2404wpbd.wmf

NEUTRAL - White Wire  
GROUND - Green Wire  
Hot - Black Wire

#### Specifications

- Input: 115VAC, 60Hz, 0.9A
- Output:
  - HPTV2404WP: 24VAC, 60Hz, 4.0A
  - HPTV2804WP: 28VAC, 60Hz, 3.6A
- Fuse Ratings:
  - AC Terminal Block: 3.0A, 5 x 20mm, 250VAC.
  - Output Circuit Board(main fuse): 5.0A, standard auto fuse.
  - Output Circuit Fuse Board: 3.0A, 32V auto fuses per each output circuit (4 per).
- Four fused outputs rated 3.0A each.
- Includes power switch, surge protected outputs, output LED indicator, and diagnostic LEDs per circuit.
- Fully gasketed door.
- Stainless steel latch with lockable hasp.
- Mounts to pole with optional pole mounting kits:
  - HPTV-PMK2; for 2" pole
  - HPTV-PMK3; for 3" pole
  - HPTV-PMK4; for 4" pole

---

This document is not intended to be used for installation purposes. We try to keep our product information up-to-date and accurate. We cannot cover all specific applications or anticipate all requirements. All specifications are subject to change without notice.  
©2007 by Honeywell International Inc. All rights reserved. Unauthorized use of this document is strictly prohibited.

## Automation and Control Solutions

Honeywell

12 Clintonville Road

Northford, CT 06472

[www.honeywellpower.com](http://www.honeywellpower.com)

1(877) HPP-POWR

[hpp\\_techserv@honeywell.com](mailto:hpp_techserv@honeywell.com)

DH-1039:A  
June 2007  
Made in the U.S.A.  
® U.S. Registered Trademark  
© 2007 Honeywell International Inc.  
Page 2 of 2



# Honeywell