

## HPTV2408WP, HPTV2808WP

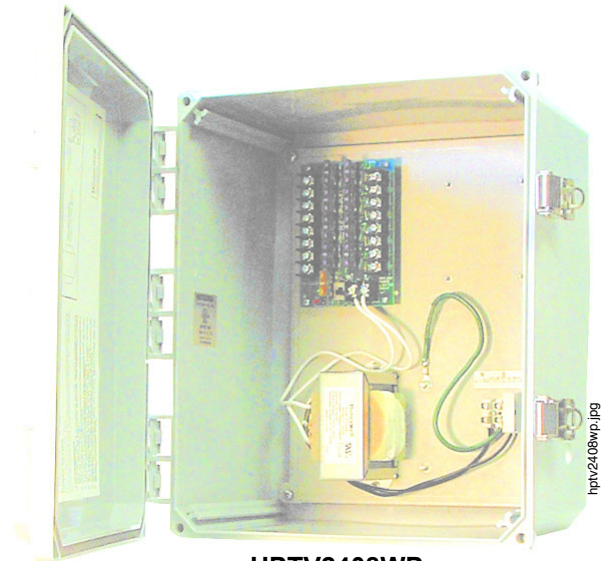
### Weatherproof Power Supplies

#### Description

The **HPTV2408WP** power supply provides a non-power-limited continuous supply current output of 24 VAC at 4.0 A, and the **HPTV2808WP** provides 28 VAC at 3.6 A. They can supply additional power for access control, intrusion, security, and CCTV applications that require outdoor installation. The units consist of a thermally-fused transformer and an electrically-fused primary input in a NEMA 4X IP66 weatherproof enclosure with included mounting hardware.

#### Benefits

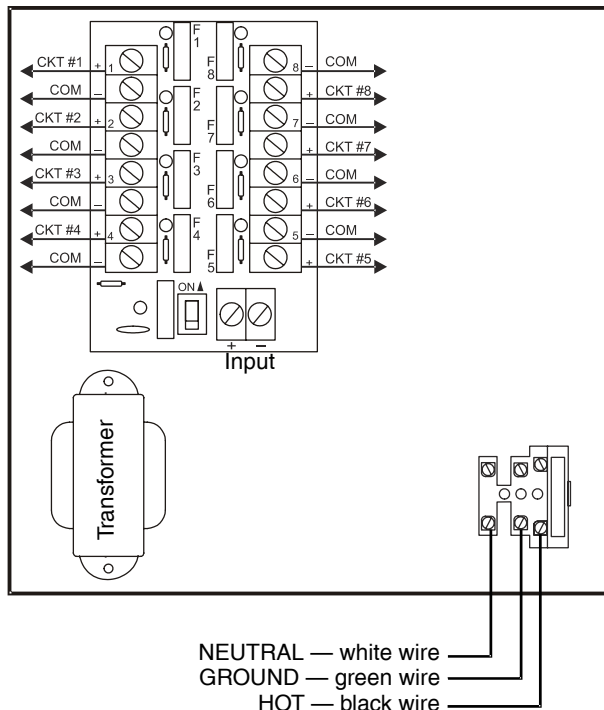
- An all-in-one power supply and distribution unit enclosed in roomy cabinet.
- Transformer thermal protection limits damage from overloaded circuits.
- LED lights for quick and easy diagnosis, troubleshooting, and status indication.
- Comes fully assembled with accessories included for quick installation.
- Enclosure built for durability and product life.
- Power disconnect switch for easy servicing.
- Enclosure is corrosion resistant with a non-metallic body, lockable stainless steel latches, and brass hardware for outdoor use.
- Mounts with hardware to flat surface, or to pole using optional **HPTV-PMK** pole-mount kit.



**HPTV2408WP**

#### Specifications

- Input: 115 VAC, 60 Hz, 0.9 A.
- Output:
  - HPTV2408WP: 24 VAC, 60 Hz, 4.0 A.
  - HPTV2808WP: 28 VAC, 60 Hz, 3.6 A.
- Fuse ratings:
  - AC terminal block: 3.0 A, 5 x 20 mm, 250 VAC.
  - Output circuit board (main fuse): 5.0 A, auto fuse.
  - Output circuit fuse board: 3.0 A, auto fuses per each output circuit (8 per power supply).
- Eight fused outputs rated 3.0 A each.
- Includes power switch, transient protected outputs, output LED indicator, and diagnostic LEDs per circuit.
- Temperature range:  $-40^{\circ}$  F to  $120^{\circ}$  F ( $-40^{\circ}$ C to  $49^{\circ}$ C); outdoor use.
- Enclosure dimensions: 12" H x 10" W x 6" D (cm: 30.48 H x 25.4 W x 15.24 D).



---

This document is not intended to be used for installation purposes. We try to keep our product information up-to-date and accurate. We cannot cover all specific applications or anticipate all requirements. All specifications are subject to change without notice.  
©2009 by Honeywell International Inc. All rights reserved. Unauthorized use of this document is strictly prohibited.

## Automation and Control Solutions

Honeywell

12 Clintonville Road

Northford, CT 06472-1610

[www.honeywellpower.com](http://www.honeywellpower.com)

1(877) HPP-POWR

[hpp\\_techserv@honeywell.com](mailto:hpp_techserv@honeywell.com)

DH-1040:B  
August 2009  
Made in the U.S.A.  
© U.S. Registered Trademark  
© 2009 Honeywell International Inc.  
Page 2 of 2



# Honeywell