

HPTV2408WP HPTV2808WP

Weatherproof Power Supplies

Description

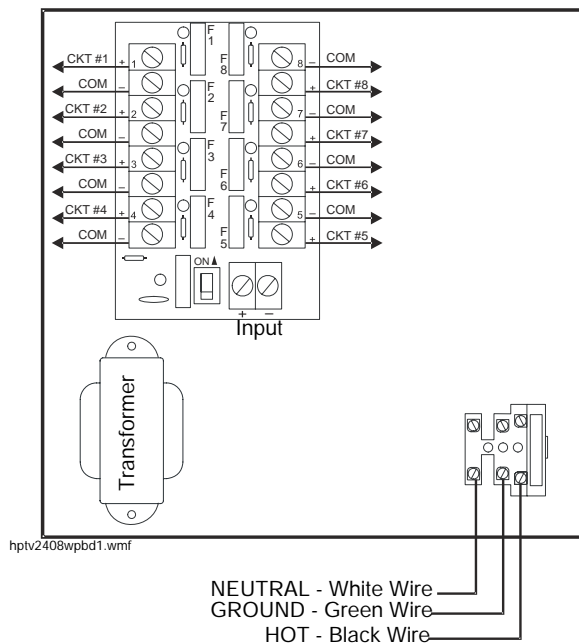
The **HPTV2408WP** power supply provides a non-power limited continuous supply current output of 24VAC @ 4.0A and the **HPTV2808WP** provides 28VAC @ 3.6A.

They can supply additional power for access control, security, and CCTV applications that require outdoor installation. The units consist of a thermally-fused transformer and an electrically-fused primary input in an NEMA 4X IP66 weatherproof enclosure with included mounting hardware.



hptv2408wp.jpg

HPTV2408WP



Specifications

- Input: 115VAC, 60Hz, 0.9A
- Output:
 - HPTV2408WP: 24VAC, 60Hz, 4.A
 - HPTV2808WP: 28VAC, 60Hz, 3.6A
- Fuse Ratings:
 - AC Terminal Block: 3.0A, 5 x 20mm, 250VAC
 - Output Circuit Board (main fuse): 5.0A, auto fuse
 - Output Circuit Fuse Board: 3.0A, auto fuses per each output circuit (8 per).
- Eight fused outputs rated 3.0A each.
- Includes power switch, transient protected outputs, output LED indicator, and diagnostic LEDs per circuit.
- Fully gasketed door.
- Stainless steel latch with lockable hasp.
- Mounts to pole with optional pole mounting kits:
 - HPTV-PMK2; for 2" pole
 - HPTV-PMK3; for 3" pole
 - HPTV-PMK4; for 4" pole

This document is not intended to be used for installation purposes. We try to keep our product information up-to-date and accurate. We cannot cover all specific applications or anticipate all requirements. All specifications are subject to change without notice.
©2007 by Honeywell International Inc. All rights reserved. Unauthorized use of this document is strictly prohibited.

Automation and Control Solutions

Honeywell

12 Clintonville Road

Northford, CT 06472

www.honeywellpower.com

1(877) HPP-POWR

hpp_techserv@honeywell.com

DH-1040:A
June 2007
Made in the U.S.A.
® U.S. Registered Trademark
© 2007 Honeywell International Inc.
Page 2 of 2



Honeywell